



Enviroswim Semi-Automatic Acid Doser

enviro**swim**

Thank you and congratulations on your purchase of the Enviroswim semi-automatic acid doser.

The device does not monitor the pool's pH levels. This is a semi-automatic doser and will dose when the Enviroswim system is operating.

WHAT'S IN THE BOX:

1. Dosing pump
2. Discharge port connector
3. Suction non return valve
4. Mounting bracket
5. Suction tube (white)
6. Discharge tube (clear)
7. Plumber's tape
8. T piece



SAFETY INSTRUCTIONS

- Do not operate the pump with wet hands or feet.
- Do not keep chemicals below pool equipment.
- Operate equipment as per manual.
- In case of an improper functioning of the pump switch off and contact the supplier.
- For correct functioning it is necessary to use original spare parts and original accessories.
- Children should be supervised to ensure they do not operate or touch the equipment.



All maintenance and repairs must be carried out with the power switched off to the equipment.



During maintenance and repairing of parts in contact with chemicals, it is mandatory to use personal protection measures (gloves, apron, glasses, etc.).

Ignoring the instructions can result in equipment damage and in extreme cases, injury.

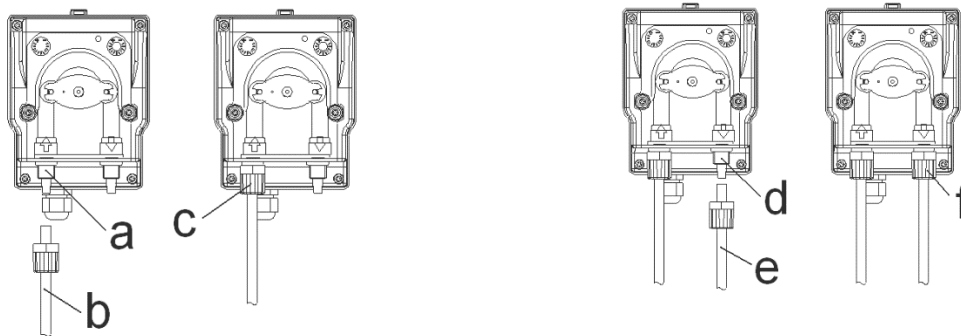
INSTALLATION INSTRUCTIONS

The Acid doser is the last item to be plumbed in on your return line to the pool.

Mounting Doser

Secure the mounting bracket supplied in the kit on the wall (flat side to the wall), remembering that the length of electrical cable, supply and discharge tubes and the position of acid connection on your pipework will determine the best position of your pump. Once the mounting bracket is secured, slide the dosing pump into position on to the dosing pump.

Tube Connection



Suction: Connect the suction tube - white (b) to the suction nipple (a). Tighten nut (c).

Injection: Connect the injection tube - clear (e) to the delivery nipple (d). Tighten nut (f).

ATTENTION! Try to keep both the suction and discharge tube as straight as possible, avoiding all unnecessary bends.

DOSER TO OPERATE ONLY WHEN THE POOL EQUIPMENT IS OPERATING

Power Connection

The Acid doser is to be plugged into the Enviroswim control box power socket with the piggy back plug and will run simultaneously with the pump, filter and Enviroswim.

Variable Speed Pump

If you have a **variable speed pump**, run the acid doser on a separate power socket and timer. Ensure that the pump, filter and Enviroswim are running when the doser is feeding acid.

Failure to run the variable speed pump and the acid doser separately may result in the acid dosing system being damaged.

OPERATING INSTRUCTIONS

Once the dosing pump is installed, to increase the acid mix delivery, adjust the flow rate by turning the dial clockwise.

Doser Settings

There is no one setting that is right for every swimming pool or spa. Let the doser settle down over 2-3 days and then, if necessary, alter the setting on the dosing pump to suit your pool or spa.



Acid doser flow rate guide:

100%	- 1.1L per hour
90%	- .99L per hour
80%	- .88L per hour
70%	- .77L per hour
60%	- .66L per hour
50%	- .55L per hour
40%	- .44L per hour
30%	- .33L per hour
20%	- .22L per hour
10%	- .11L per hour
0%	- 0L per hour

Acid Dilution

Take a 20 litre drum and dilute 4 litres of acid to 16 litres of water. This is a guide, you may find your pool requires less or more dilution depending on the acid demand of your pool.

ALWAYS ADD CHEMICALS TO WATER. Never add water to chemicals

GENERAL MAINTENANCE

Regular maintenance is essential for the pump to function effectively.

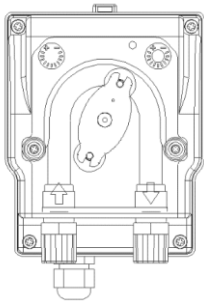
The following advice should be followed:

- Make sure the drum has fluid in it at all times to avoid the pump running dry.
- Check the suction and delivery hoses for signs of damage.
- Regularly check the functioning of the pump
- Lubricate the squeeze (pump) tube every 6 months (more often in commercial applications).

NEVER STORE CHEMICALS IN THE VICINITY OF YOUR POOL EQUIPMENT

GENERAL MAINTENANCE (continued)

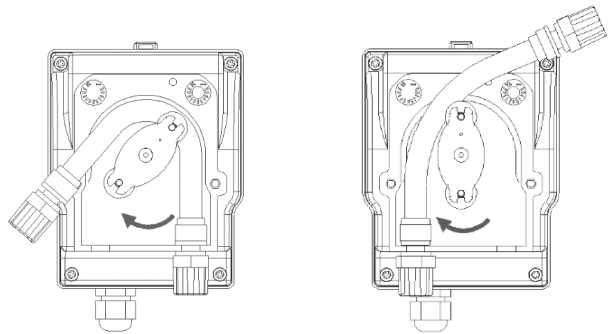
Pump Storage



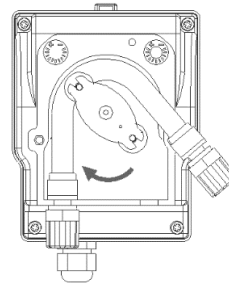
When you want to store the pump (in winter for example) you must protect the peristaltic hose. It is recommended to dose clean water to avoid the chemical attack of the hose when the pump is stored. Rotate the roller holder in a clockwise direction to move the pump to the position shown in the figure. It is recommended to not leave the hose pressed near the suction part.

Hose replacement

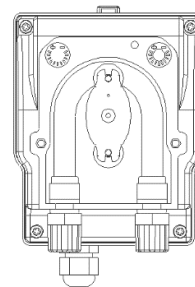
1. Remove the transparent cover by unscrewing the two screws of the front cover. Take off the old hose completely releasing the left connector, turning the roller holder in the direction of the circular arrow so that the hose is freed up to the right connector.



2. Insert the left connector into the relative housing and verify that the round part of it will take his position towards the back of the pump. Turn the roller holder clockwise so that the hose will take its natural position in the pump head.



3. Insert the right connector into the relative housing and fix the cover by screwing the two screws.



COMPLIANCE

Compliant with the relevant clauses of Australian Standards:

- AS/NZS 3136:2001 including Amendments 1-2 Electrical equipment for spa and swimming pools.
- AS/NZS 3100:2017 including Amendment 1-3 General requirements for electrical equipment.

Our pumps are built accordingly to the current general standards endowed with CE mark in conformity with the following European directives.

- 2014/30/CE regarding “Electromagnetic compatibilities”.
- 2014/35/CE regarding “Low voltages”.

WARRANTY

The Enviroswim Semi-automatic acid doser is covered against defects in materials and workmanship from the date of purchase for a period of 12 months.

This warranty is subject to the conditions and limitations listed herein. All warranties apply to the original purchaser of the product and are not transferable to new owners. You must notify Enviroswim upon the failure of any component within the warranty period to make a valid claim.

The warranty offered is only valid when the equipment has been used in a normal manner, for the purpose for which it was intended and in accordance with the operating and instruction manual.

The replacement of consumable items used in routine general maintenance are not covered by this warranty. Consumable items may include (but not limited to), supply tube and squeeze tube.

This warranty does not cover any equipment that has been improperly installed, misused, neglected, damaged whether intentionally or accidentally or repaired/replaced without authorisation from Enviroswim.

Extreme operating conditions beyond the control of Enviroswim, such as improper power supply, extreme temperatures or other conditions that adversely affect the performance or life of the equipment will void the warranty. Insect infestation or penetration by sand, dust or other foreign bodies will void warranty.

Enviroswim reserve the right to repair or replace defective components or products at its sole discretion.

Enviroswim shall have no liability for incidental or consequential damages or delays caused either directly or indirectly by any malfunction of or defect of or failure of the equipment.

Proof of Purchase must be retained for all warranty claims. Warranty will not be considered without Proof of Purchase.

Watertech Services International Pty Ltd

2/27 Ford Road, Coomera, QLD, 4209 Australia

Phone: 07 5655 6150

Email: info@enviroswim.com

